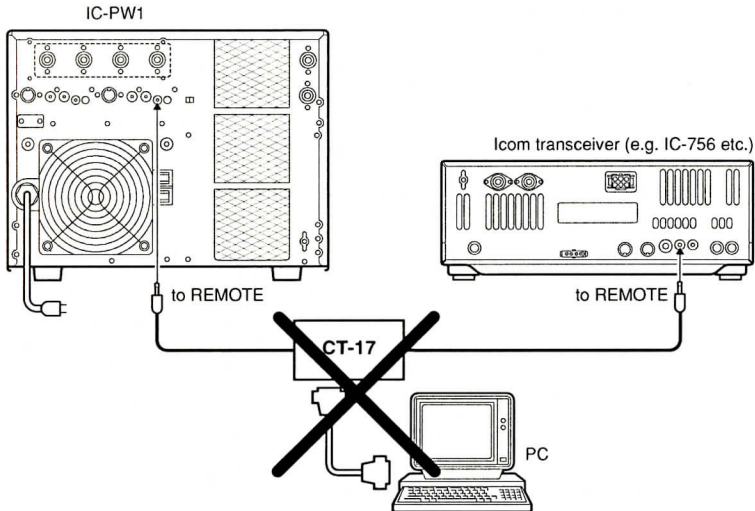


IC-PW1 CAUTION!



P. 12

■ Programming the CI-V address

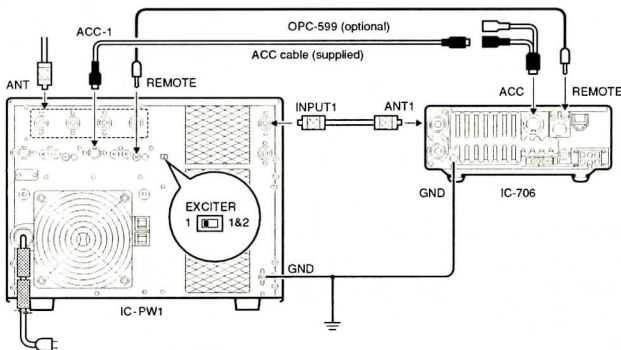
- **DO NOT USE** CT-17 CI-V LEVEL CONVERTER to connect the remote control signal line for band control operation from an Icom exciter, or from the PC.
- Connect the supplied remote cable between the IC-PW1 and Icom exciter directly.
- Please also refer to p. 12 of the instruction manual.

■ Initial setting

Please refer to the following operating procedure.

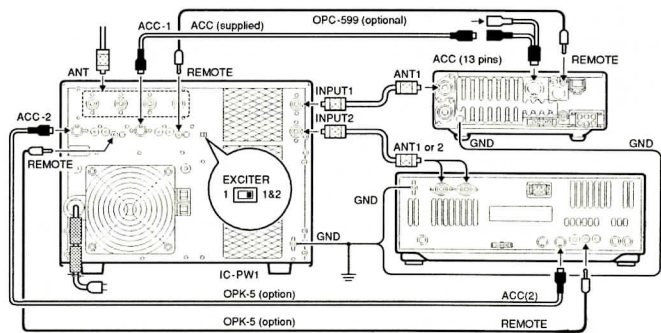
- Before setting the remote control operation

◆ When using one (1) Icom exciter with one (1) ANT line;



- ① Turn OFF both of the IC-PW1 and exciter.
- ② Set [EXCITER] to [1] position.
- ③ While pushing and holding the [INPUT] switch on the PW-1 controller, turn the exciter's power ON.
 - LED [INPUT 1] over the [INPUT] switch blinks.
- ④ Rotate the exciter's dial until the LED [INPUT 1] lights continuously.
- ⑤ Turn the exciter's power OFF to complete the setting.

◆ When using two (2) Icom excitors;



- ① Turn OFF both of the IC-PW1 and excitors.
- ② Set [EXCITER] to [1&2] position.
- ③ Set the exciter's CI-V baud rate if required.
 - When selecting the different baud rate for each exciter, "CI-V data" setting may fail depending on the exciter. In such case, use the same baud rate for each exciter. Each exciter's frequencies may be synchronised.
 - When connecting the "AUTO" baud rate exciter and "Non-AUTO" baud rate exciter, the excitors' frequencies may not synchronize in some cases.
- ④ While pushing and holding the [INPUT] switch on the IC-PW1 controller, turn the 1st exciter's power ON.
 - LED [INPUT 1] blinks.
- ⑤ Push [DOWN] to turn the position memory function for the [INPUT] select switch ON.
 - The band indicators, [1.8]–[50], light continuously.
- ⑥ Rotate the 1st exciter's dial until the LED [INPUT 1] lights continuously.
- ⑦ Turn the 2nd exciter's power ON.
- ⑧ Push [INPUT].
 - LED [INPUT 2] blinks.
- ⑨ Rotate the 2nd exciter's dial until the LED [INPUT 2] lights continuously.
- ⑩ Turn both exciter's power OFF to complete the setting.